

Terminating and Test Reducers for FRP and other Double Wall Rigid Pipe

Dimensional Information -- Alcryn & Fuel Thane Reducers

Part No.	A	B	C
RA 1.4x1.4	1.390	1.390	2.400
RA 2.4x1.1	2.446	1.200	1.800
RA 2.4x1.4	2.446	1.390	1.800
RA 2.4x2.0	2.446	2.050	1.930

RA 2.7x2.4	2.725	2.450	2.950
------------	-------	-------	-------

RA 3.5x1.1	3.600	1.200	2.000
RA 3.5x1.4	3.600	1.390	2.000
RA 3.5x1.8	3.600	1.862	2.000
RA 3.5x2.4	3.600	2.425	2.000
RA 3.5x2.5	3.600	2.575	2.000
RA 3.5x3.0	3.600	3.000	2.000

RA 3.8x2.4	3.77	2.4	2.97
RA 3.8x3.5	3.77	3.54	2.97

RA 3.9x1.4	3.950	1.390	2.300
RA 3.9x1.8	3.950	1.862	2.300
RA 3.9x2.4	3.950	2.425	2.300
RA 3.9x3.0	3.950	3.030	2.300
RA 3.9x3.9	3.950	3.950	2.300

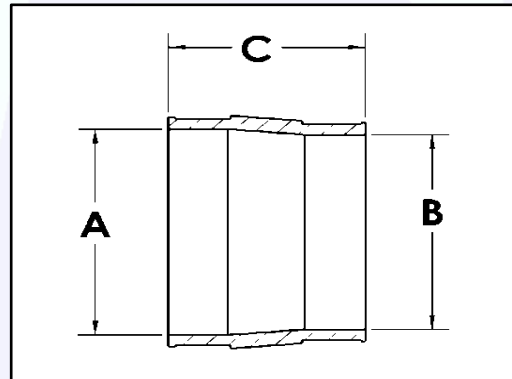
RA 4.5x1.1	4.550	1.200	2.800
RA 4.5x1.9	4.550	1.950	2.800
RA 4.5x2.0	4.550	2.073	2.800
RA 4.5x2.4	4.550	2.425	2.800
RA 4.5x3.5	4.550	3.400	2.800

RA 4.8x4.5	4.780	4.500	3.000
------------	-------	-------	-------

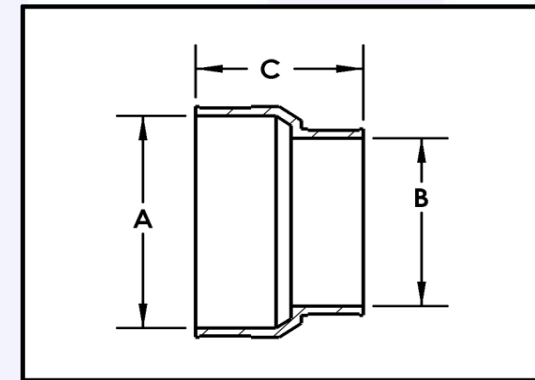
Part No.	A	B	C
RA 5.6x3.5	5.613	3.600	n/a

RA 6.7x3.5	3.600	3.600	n/a
RA 6.7x4.5	4.550	4.550	n/a
RA 6.7x5.0	6.675	4.950	n/a
RA 6.7x6.7	6.675	6.675	n/a

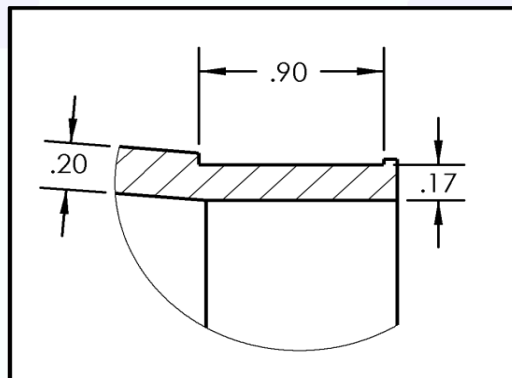
Coaxial Reducer Design



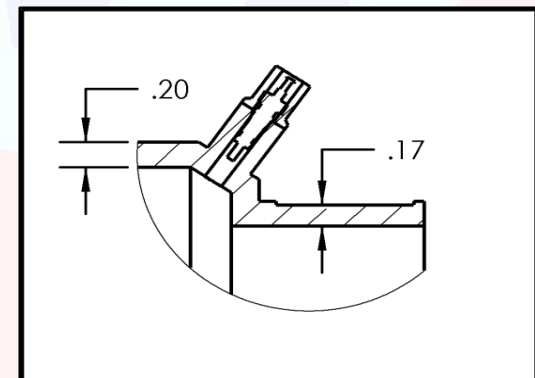
Standard Reducer Design



Sidewall Detail



Molded-in Air Valve Detail



Terminating and Test Reducers for FRP and other Double Wall Rigid Pipe

Dimensional Information -- Alcryn & Fuel Thane "Custom" Reducers

Part No.	A	B	C	D
----------	---	---	---	---

Eccentric Reducers

RA 3.5x2.4E	3.600	2.420	2.000
RA 3.5x3.0E	3.600	3.030	2.000
RA 4.5x3.5E	4.550	3.510	2.800
RA 6.7x4.5E	6.750	4.520	4.000

Multiple Outlet Reducers

RA 4.5x1.4x1.4	4.550	1.390	3.000
RA 4.9x1.9x1.4	4.900	1.950	3.000

Reducers with Drain Ports

RA 2.0x1.8D	2.030	18.300	2.810	
RA 2.5x2.3D	2.550	n/a	n/a	
RA 3.5x2.4D	3.600	n/a	2.000	
RA 4.5x1.4x1.4D	4.550	n/a	2.800	1.390
RA 4.9x1.9x1.4D	4.900	n/a	3.000	1.390

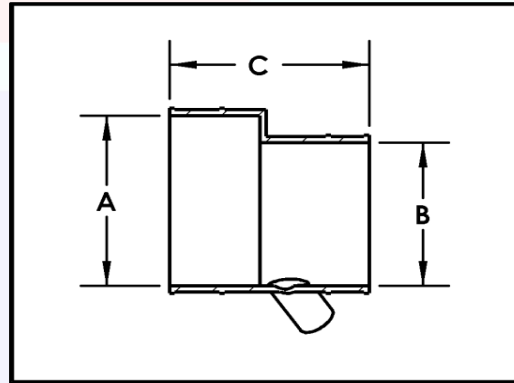
Long Reducers

RA 3.9x2.4L	3.950	2.420	5.400
RA 3.9x3.9L	3.950	n/a	n/a

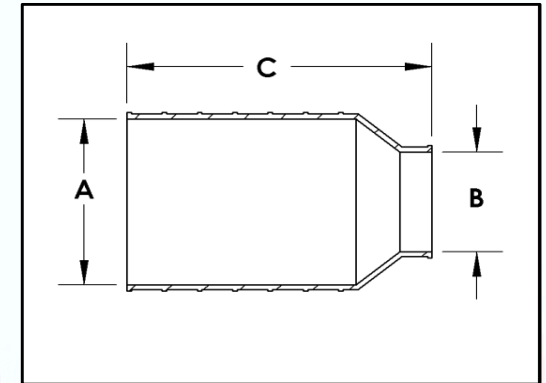
Custom Reducers

RA 1.8x1.4BVO	1.862	1.390	2.100
---------------	-------	-------	-------

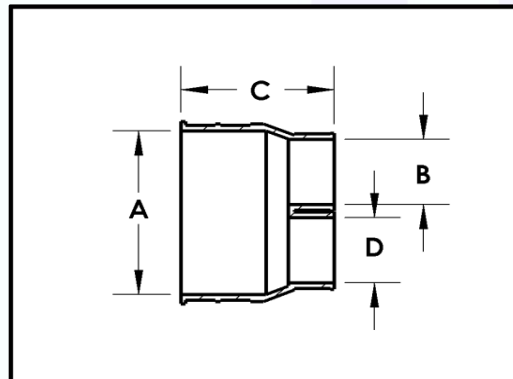
Eccentric Reducer Design



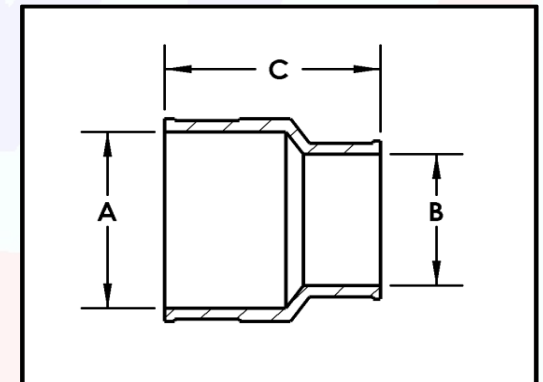
Long Reducer Design



Multiple Outlet Reducer



Custom Reducer Design

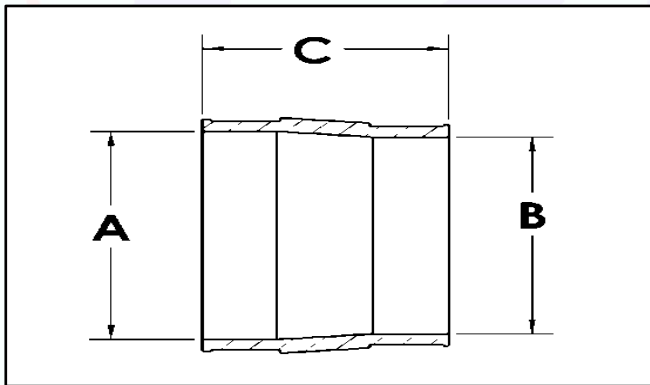


Terminating and Test Reducers for Flex Pipe

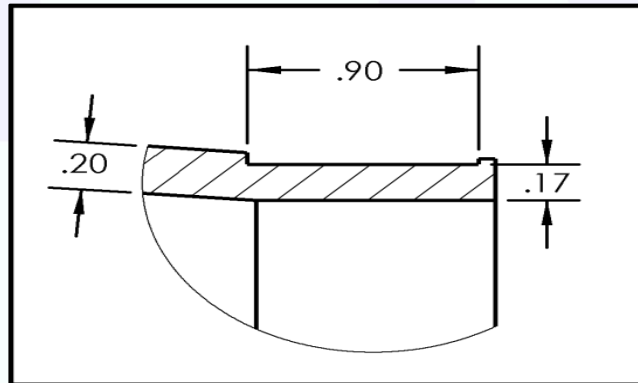
Dimensional Information -- Alcryn & Fuel Thane Reducers

DPM Reducer PN	A	B	C
RA 1.2x1.0			
RA 1.5x1.3			
RA 1.9x1.7			
RA 2.0x1.8			
RA 2.2x2.0			
RA 2.5x2.3	2.550	2.383	2.900
RA 2.7x2.5	2.725	2.550	3.000
RA 3.5x3.3	3.600		

Coaxial Reducer Design



Sidewall Detail



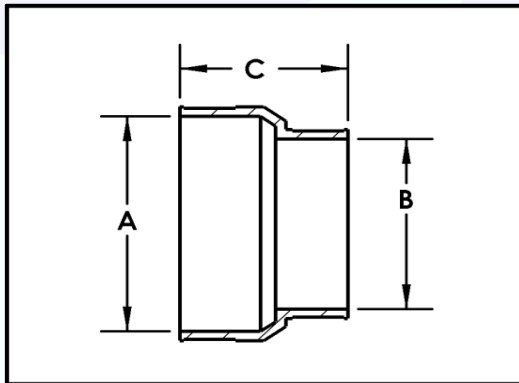
Terminating and Test Reducers for European style Poly Pipe

Dimensional Information -- Alcryn & Fuel Thane Reducers

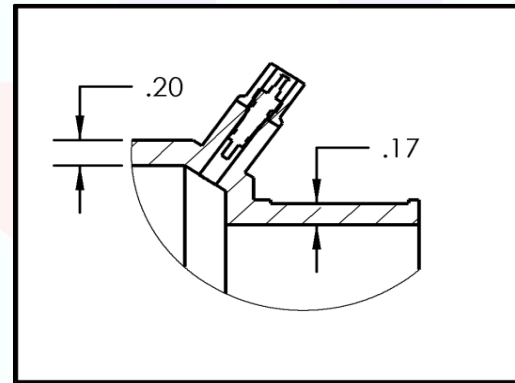
Part No.	A	B	C
UR 7.1x4.4	7.150	4.510	n/a
RA 6.3x4.4	6.390	4.570	4.050
RA 6.3x3.5	6.390	3.570	4.050
RA 5.0x4.4	4.970	n/a	n/a
RA 4.4x3.5	n/a	n/a	n/a
RA 4.4x2.5	n/a	n/a	n/a
RA 4.4x2.0	n/a	n/a	n/a
RA 3.5x3.0	3.590	3.000	n/a
RA 3.5x2.0	3.590	2.070	n/a
RA 3.0x2.5	n/a	n/a	n/a
RA 2.5x2.0	2.550	2.050	n/a
RA 1.6x1.3	1.625	1.270	2.000

Metric Reference Chart			
MM	Nom	Actual OD	DPM ID
200	8"	7.87"	7.9
180	7"	7.09"	7.1
160	6"	6.30"	6.3
140	5"	5.51"	5.6
125	4.5"	4.92	5.0
110	4"	4.33"	4.4
90	3"	3.54"	3.5
75	2.5"	2.95"	3.0
63	2"	2.48"	2.5
50	1.5"	1.97"	2.0
40	1.25"	1.57"	1.6
32	1"	1.26"	1.3
25	.75"	0.98"	1.0
19	.50"	0.75"	0.8

Current Reducer Design



Molded in air valve detail



DPM Inserts (Donuts) 2008

Dimensional Information Alcryn & Fuel-Thane Inserts

Part No.	A	B
IA 1.4x.5	1.390	0.510
IA 1.4x.6	1.390	0.600
IA 1.4x.8	1.390	0.770
IA 1.4x.9	1.390	0.910
IA 1.4x1.1	1.390	1.200
IA 1.4x1.2	1.390	1.217
IA 1.4xPlug	1.390	N/A

IA 2.4x.9	2.425	0.910
IA 2.4x1.1	2.425	1.200
IA 2.4x1.4	2.425	1.217
IA 2.4x1.7	2.425	1.390
IA 2.4x1.8	2.425	1.725
IA 2.4x1.9	2.425	1.862
IA 2.4x2.0	2.425	1.950
IA 2.4xPlug	2.425	N/A

Part No.	A	B
IA 3.5x1.4	3.500	1.390
IA 3.5x1.6	3.500	1.625
IA 3.5x1.7	3.500	1.725
IA 3.5x1.8	3.500	1.862
IA 3.5x1.9	3.500	1.950
IA 3.5x2.0	3.500	2.050
IA 3.5x2.2	3.500	2.190
IA 3.5x2.4	3.500	2.425
IA 3.5x2.5	3.500	2.550
IA 3.5x2.7	3.500	2.725
IA 3.5x2.9	3.500	2.900
IA 3.5x3.0	3.500	3.030
IA 3.5x3.2	3.500	3.250
IA 3.5xPlug	3.500	N/A

Part No.	A	B
IA 4.5x3.5	4.550	3.600
IA 4.5xPlug	4.550	N/A
IA 4.8x3.5	4.780	3.500
IA 4.8x3.8	4.780	3.950
IA 4.8x4.5	4.780	4.550
IA 5.0x3.5	4.932	3.500
IA 5.0x3.9	4.932	3.950
IA 5.0x4.5	4.932	4.550
IA 6.7x5.0	6.675	4.932
IA 6.7x5.2	6.675	5.168
IA 6.7x6.0	6.675	N/A
IA 6.7xPlug	6.675	N/A

Notes:

All parts on this page are shown with Alcryn (IA) part numbers.
 To special order Fuel Thane inserts, replace the "IA" with "UI".
 For HEX style parts, the "B" dimension is the distance across the flats

