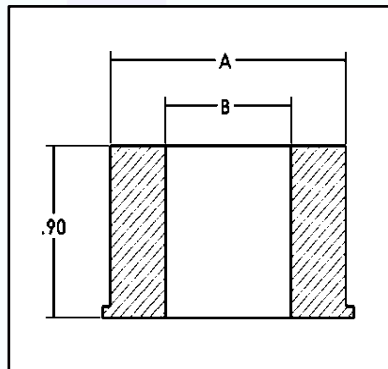


Dimensional Information - Split Inserts

Insert	A	B
UIZ 1.4x0.8	1.390	0.770
UIZ 1.4x0.9	1.390	0.910
UIZ 1.4x1.1	1.390	1.200
UIZ 1.4x1.2	1.390	1.217
UIZ 2.4x0.9	2.425	0.910
UIZ 2.4x1.1	2.425	1.200
UIZ 2.4x1.2	2.425	1.217
UIZ 2.4x1.4	2.425	1.390
UIZ 2.4x1.7	2.425	1.725
UIZ 2.4x1.8	2.425	1.862
UIZ 2.4x1.9	2.425	1.950
UIZ 2.4x2.0	2.425	2.050
UIZ 2.6x1.8	2.600	1.862

Insert	A	B
UIZ 3.5x1.4	3.500	1.390
UIZ 3.5x1.6	3.500	1.625
UIZ 3.5x1.7	3.500	1.725
UIZ 3.5x1.8	3.500	1.862
UIZ 3.5x1.9	3.500	1.950
UIZ 3.5x2.0	3.500	2.050
UIZ 3.5x2.2	3.500	2.190
UIZ 3.5x2.4	3.500	2.425
UIZ 3.5x2.5	3.500	2.550
UIZ 3.5x2.7	3.500	2.725
UIZ 3.5x2.9	3.500	2.900
UIZ 3.5x3.0	3.500	3.030
UIZ 3.5x3.2	3.500	3.250
UIZ 4.5x3.5	4.550	3.600

Insert	A	B
UIZ 4.8x3.5	4.780	3.500
UIZ 4.8x3.8	4.780	3.950
UIZ 4.8x4.5	4.780	4.550
UIZ 5.0x3.5	4.932	3.500
UIZ 5.0x3.9	4.932	3.950
UIZ 5.0x4.5	4.932	4.550
UIZ 6.7x5.0	6.675	4.932
UIZ 6.7x5.2	6.675	5.168
UIZ 6.7x6.0	6.675	n/a
UIZ 3.5x1.5Hex	3.500	1.500
UIZ 3.5x2.0Hex	3.500	2.000



For Hex Nut inserts, B= the distance across the flats.