

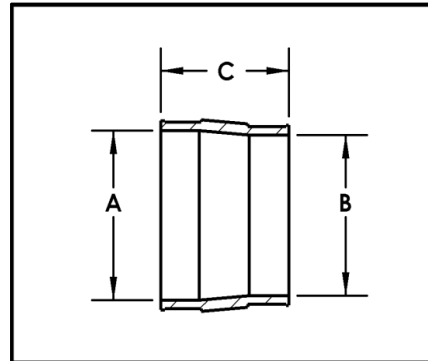
### Custom Style Split Reducers

Part No.	A	B	C	D
----------	---	---	---	---

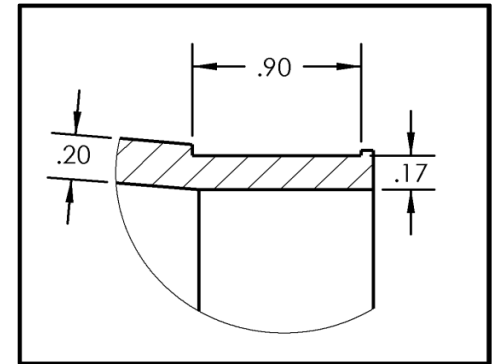
### Coaxial Reducers

URZ 2.7x2.4HP	2.725	2.446	3.000
URZ 3.8x2.4HP	n/a	n/a	n/a
URZ 3.8x3.5HP	n/a	n/a	n/a
URZ 4.8x4.5 HP	n/a	n/a	n/a

### Coaxial Reducer Design



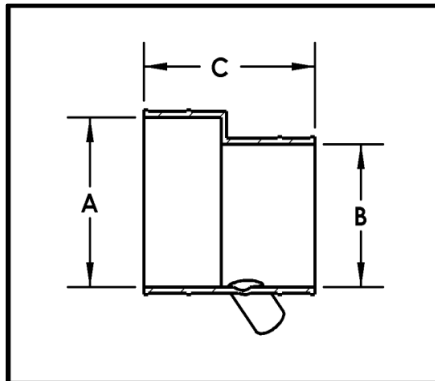
### Coaxial Sidewall Detail



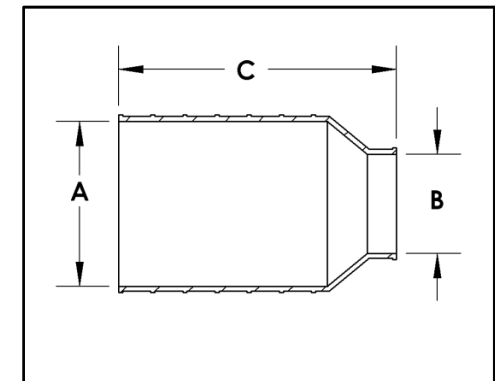
### Eccentric Reducers

URZ 3.5x2.4E	3.600	2.420	2.000
URZ 3.5x3.0E	3.600	3.030	2.000
URZ 4.5x3.5E	4.550	3.510	2.800
URZ 6.7x4.5E	6.750	4.520	4.000

### Eccentric Reducer Design



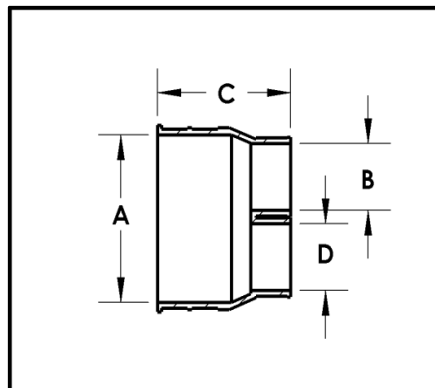
### Extra Long Reducer Design



### Extra Long Reducers

URZ 3.9x2.4L	3.950	2.420	5.400
URZ 3.9x3.9L	3.950	n/a	n/a

### Multiple Outlet Reducers Design



### Multiple Outlet Reducers

URZ 4.5x1.4x1.4	4.550	1.390	3.000	1.390
URZ 4.9x1.9x1.4	4.900	1.950	3.000	1.390