

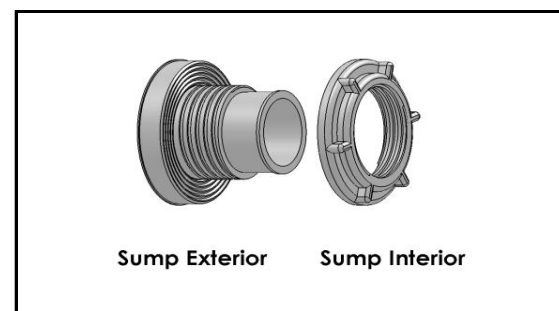
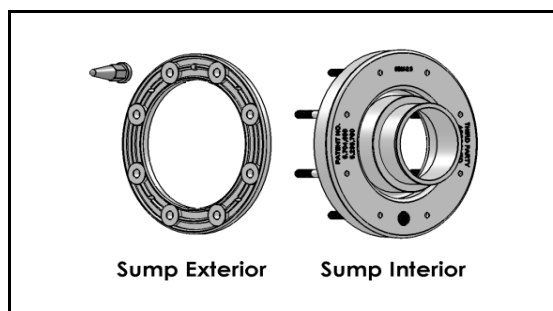
Penetration Fittings, Terminating & Test Reducers for

**OPW/Flex Works Pipe**

List Prices Effective 7/1/08



**Diversified Products Mfg. Inc.**  
 Oroville, California, USA  
[www.dpm-llc.com](http://www.dpm-llc.com)  
 Phone: 1-530-534-3966  
 Fax: 1-530-534-7404

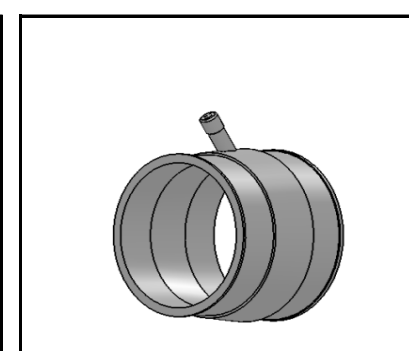


Pipe Description or Pipe Product Number
<b>Single Wall Pipe</b>
S30 - 3.3" OD
S20 - 2.3" OD
S15 - 1.8" OD
<b>Double Wall Pipe</b>
C30 - 3.5" OD
C20 - 2.5" OD
C15 - 2.0" OD
C10 - 1.5" OD
C075 - 1.18" OD
<b>Double Wall in Access Pipe</b>
AXP40 over C20
AXP40 over C15
<b>Electrical Conduits</b>
1" PVC Coated Conduit
1" Rigid Steel Conduit
32 MM Pipe
3/4" PVC Coated Conduit
3/4" Rigid Steel Conduit
1" Conduit w 3/4" PVC Insert
1" Conduit w 3/4" Insert
1" Conduit w/ 3/4 & 1/2 Coated Inserts
1" Conduit w/ 3/4 & 1/2 Inserts

Studded Penetration Fittings				
	Any Qty	Distributor Packs		
Prod #	List	Qty	List	
8S-3.3	\$27.16	24	\$24.99	
8S-2.4	\$27.16	24	\$24.99	
8S-1.9	\$27.16	24	\$24.99	
8S-3.6	\$27.16	24	\$24.99	
8S-2.5	\$27.16	24	\$24.99	
8S-2.0	\$27.16	24	\$24.99	
8S-1.5	\$27.16	24	\$24.99	
4S-1.2	\$22.20	36	\$20.42	
10D 4.6x2.5	\$64.21	10	\$59.07	
10D 4.6x2.0	\$64.21	10	\$59.07	
4S-1.4	\$22.20	36	\$20.42	
4S-1.4	\$22.20	36	\$20.42	
4S-1.3	\$22.20	36	\$20.42	
4S-1.2	\$22.20	36	\$20.42	
4S-1.1	\$22.20	36	\$20.42	
4S-42	\$24.70	36	\$22.72	
4S-41	\$24.70	36	\$22.72	
4S-429	\$27.70	36	\$25.48	
4S-419	\$27.70	36	\$25.48	

Threaded Penetration Fittings				
Threaded	Any Qty	Distributor Packs		
Prod #	List	Qty	List	
B5-3.3	\$28.95	36/54/72	\$26.63	
B5-2.4	\$28.95	36/54/72	\$26.63	
B5-1.9	\$28.95	36/54/72	\$26.63	
B5-3.6	\$28.95	36/54/72	\$26.63	
B5-2.5	\$28.95	36/54/72	\$26.63	
B5-2.0	\$28.95	36/54/72	\$26.63	
B5-1.6	\$28.95	36/54/72	\$26.63	
B2-1.2	\$22.20	24/144	\$20.42	
B6 4.6x2.5	\$64.21	25/30/50	\$59.07	
B6 4.6x2.0	\$64.21	25/30/50	\$59.07	
B2-1.4	\$22.20	24/144	\$20.42	
B2-1.4	\$22.20	24/144	\$20.42	
B2-1.3	\$22.20	24/144	\$20.42	
B2-1.2	\$22.20	24/144	\$20.42	
B2-1.1	\$22.20	24/144	\$20.42	
B2-42	\$24.70	24/144	\$22.72	
B2-41	\$24.70	24/144	\$22.72	
B2-429	\$27.20	24/144	\$25.02	
B2-419	\$27.20	24/144	\$25.02	

Test Reducers				
Application	Prod #	Base	Cross Ref	list \$
C30 3.5 over 3.3	RA 3.5x3.3A	\$18.00	TBA-0300	\$22.00
C20 2.5 over 2.3	RA 2.5x2.3A	\$13.00	TBA-0200	\$13.00
C15 2.0 over 1.8	RA 2.0x1.8A	\$12.00	TBA-0150	\$12.00
C10 1.5 over 1.3	RA 1.5x1.3A	\$11.00	TBA-0100	\$12.00
C075 1.18 over 1.0	RA 1.2x1.0A	\$10.00	TBA-0075	\$11.00
2 ft Long Crossover Tubing	Xover-2ft	\$11.50	TJ-200A	\$18.00
2 ft Long Crossover Test Tubing	Xover-Test	\$27.95	No equivalent part	



All test reducers are Alcryn with Worm Gear Clamps and are rated to 10 PSIG test Pressure.  
 All reducers come with molded in Air Valves.

Terms 3% 10 days Net 30 days  
 Freight 100% freight credit on shipments of \$2500 net or more to one destination within the USA  
 Freight is Billed to Customers UPS account number  
 Discounts per Distributor Agreement

Note: Above Prices are for "Competitive" Single Sided Penetrations. DPM offers a complete line of Double Sided, Filled and Monitored Penetration Fittings. Some fittings have a 20 year Parts & Labor Warranty available (USA Installations Only)  
 Call For Literature or Pricing