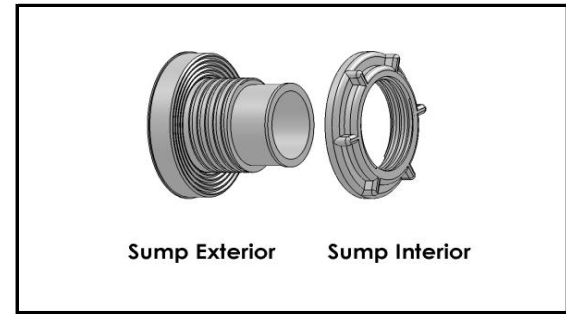
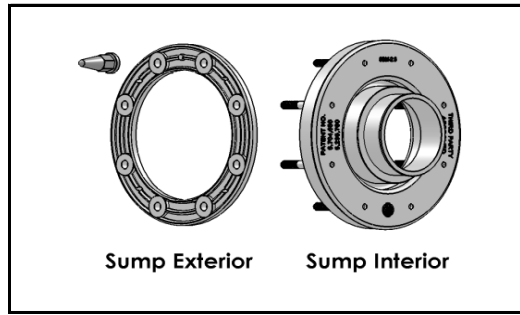


**IPP Pipe**

List Prices effective 7/1/08



**Diversitied Products Mfg. Inc.**  
 Oroville, California, USA  
[www.dpm-llc.com](http://www.dpm-llc.com)  
 Phone: 1-530-534-3966  
 Fax: 1-530-534-7404

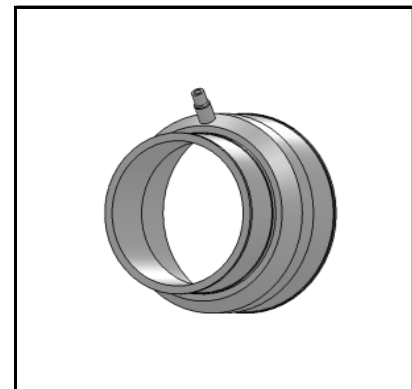


Pipe Description or Pipe Product Number
250 mm series
225 mm series
180 mm series
160 mm Series
125 mm Series
110 mm Series
90 mm Series
75 mm Series
63 mm Series
50 mm Series
40 mm Series
<b>Electrical Conduits &amp; Small Product Pipe</b>
1" PVC Coated Conduit
1" Rigid Steel Conduit
32 mm Pipe
3/4" PVC Coated Conduit
3/4" Rigid Steel Conduit & 25 mm Pipe
1" Conduit w 3/4" PVC Insert
1" Conduit w 3/4" Insert
1" Conduit w/ 3/4 & 1/2 Coated Inserts
1" Conduit w/ 3/4 & 1/2 Inserts

Prod #	Studded Penetration Fittings	
	Any Qty List	Distributor Packs Qty List
14S-9.9	\$243.50	- \$243.50
14S-8.9	\$243.50	- \$243.50
14S-7.1	\$243.50	- \$243.50
12S-6.3	\$92.61	10 \$85.20
10S-5.0	\$34.58	12 \$31.81
10S-4.5	\$34.58	10 \$31.81
8S-3.6	\$27.16	24 \$24.99
8S-3.0	\$27.16	24 \$24.99
8S-2.5	\$27.16	24 \$24.99
8S-2.0	\$27.16	24 \$24.99
8S-1.6	\$27.16	24 \$24.99
4S-1.4	\$22.20	36 \$20.42
4S-1.4	\$22.20	36 \$20.42
4S-1.3	\$22.20	36 \$20.42
4S-1.2	\$22.20	36 \$20.42
4S-1.1	\$22.20	36 \$20.42
4S-42	\$24.70	36 \$22.72
4S-41	\$24.70	36 \$22.72
4S-429	\$27.70	36 \$25.48
4S-419	\$27.70	36 \$25.48

Prod #	Threaded Penetration Fittings		
	Any Qty List	Distributor Packs Qty	List
n/a	n/a	n/a	n/a
n/a	n/a	n/a	n/a
n/a	n/a	n/a	n/a
n/a	n/a	n/a	n/a
n/a	n/a	n/a	n/a
B6-4.5	\$32.21	25/30/50	\$29.64
B5-3.6	\$28.95	36/54/72	\$26.63
B5-3.0	\$28.95	36/54/72	\$26.63
B5-2.5	\$28.95	36/54/72	\$26.63
B5-2.2	\$28.95	36/54/72	\$26.63
B5-2.2	\$28.95	36/54/72	\$26.63
B2-1.4	\$22.20	24/144	\$20.42
B2-1.4	\$22.20	24/144	\$20.42
B2-1.3	\$22.20	24/144	\$20.42
B2-1.2	\$22.20	24/144	\$20.42
B2-1.1	\$22.20	24/144	\$20.42
B2-42	\$24.70	24/144	\$22.72
B2-41	\$24.70	24/144	\$22.72
B2-429	\$27.20	24/144	\$25.02
B2-419	\$27.20	24/144	\$25.02

Terminating & Test Reducers				
Application	Prod #	Base	"HP" Add \$	"A" Add \$
125 over 110	RA 5.0x4.4	\$23.00	\$15.00	\$6.30
110 over 90	RA 4.5x3.6	\$21.50	\$15.00	\$6.30
75 over 63	RA 3.0x2.5	\$15.00	Coaxial Design With Air Valve	
63 over 50	RA 2.5x2.0	\$13.00	Coaxial Design With Air Valve	
50 over 40	RA2.0x1.6	\$12.00	Coaxial Design With Air Valve	
28 over 25	RA 1.3x1.0	\$11.00	Coaxial Design With Air Valve	
2 ft Long Crossover Tubing	Xover-2ft	\$11.50		
2 ft Long Crossover Test Tubing	Xover-Test	\$27.95		



All terminating and test reducers are provided with Worm Gear Clamps and are rated to 10 PSIG operating Pressure. High Pressure Models are rated to 35 PSIG and include T Bolt Clamps add "HP" to the end of the product number. For molded in air test valves add "A" to product numbers. **Example RA 4.5x3.6HPA**

Terms: Prepaid - Export Customers  
 Freight: Billed to Customers Account  
 Discounts: per Distributor Agreement

Note: Above Prices are for "Competitive" Single Sided Penetrations. DPM offers a complete line of Double Sided, Filled and Monitored Penetration Fittings. Some fittings have a 20 year Parts & Labor Warranty available (USA Installations Only)  
 Call For Literature or Pricing