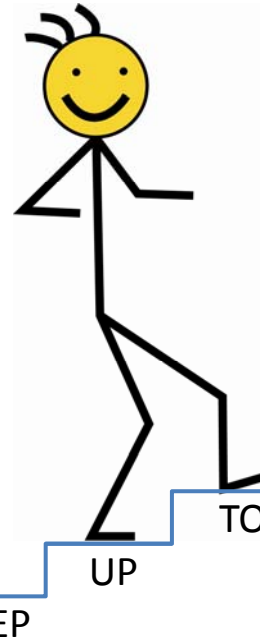
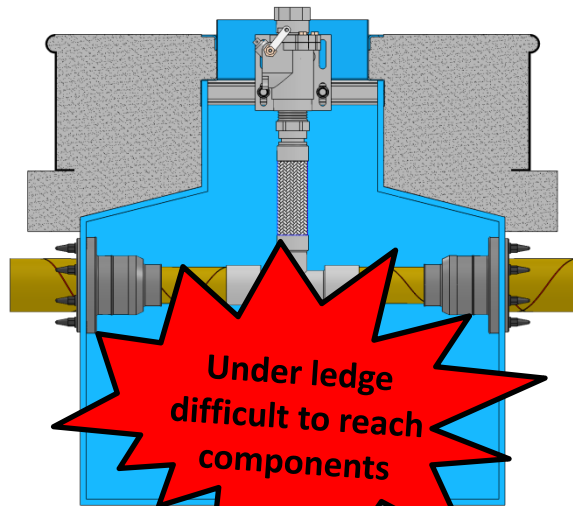


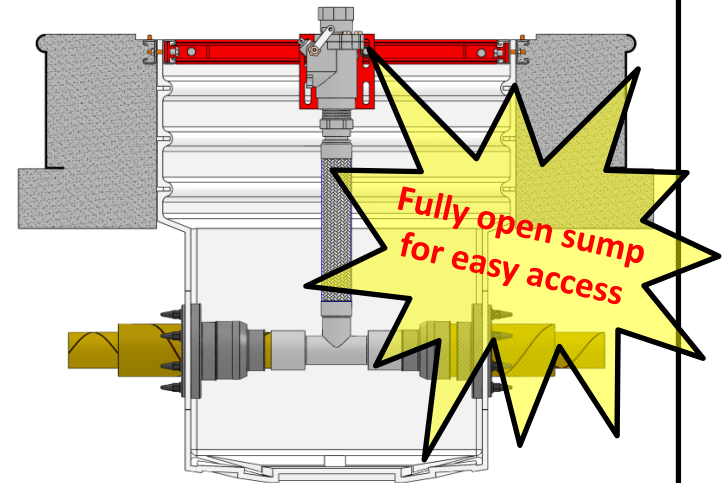
# CHECK IT OUT

## Diversified's *New* Family of Under Dispenser & Transition Sumps

Tired of high costs to access your sumps to maintain, repair or replace the fittings, flex connectors and sensors?



Fully accessible sump for maintenance or repair. Completely remove the dispenser and the lid.



Choice of HDPE or FRP materials

Extended warranties available

First Engineered UDC in the market

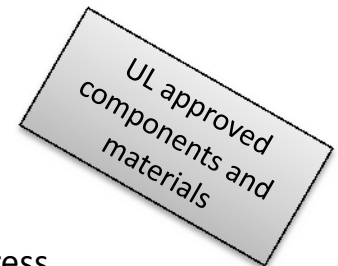
Grade assured for up to 6 sumps in series

3<sup>rd</sup> Party Approved by Ken Wilcox Associates

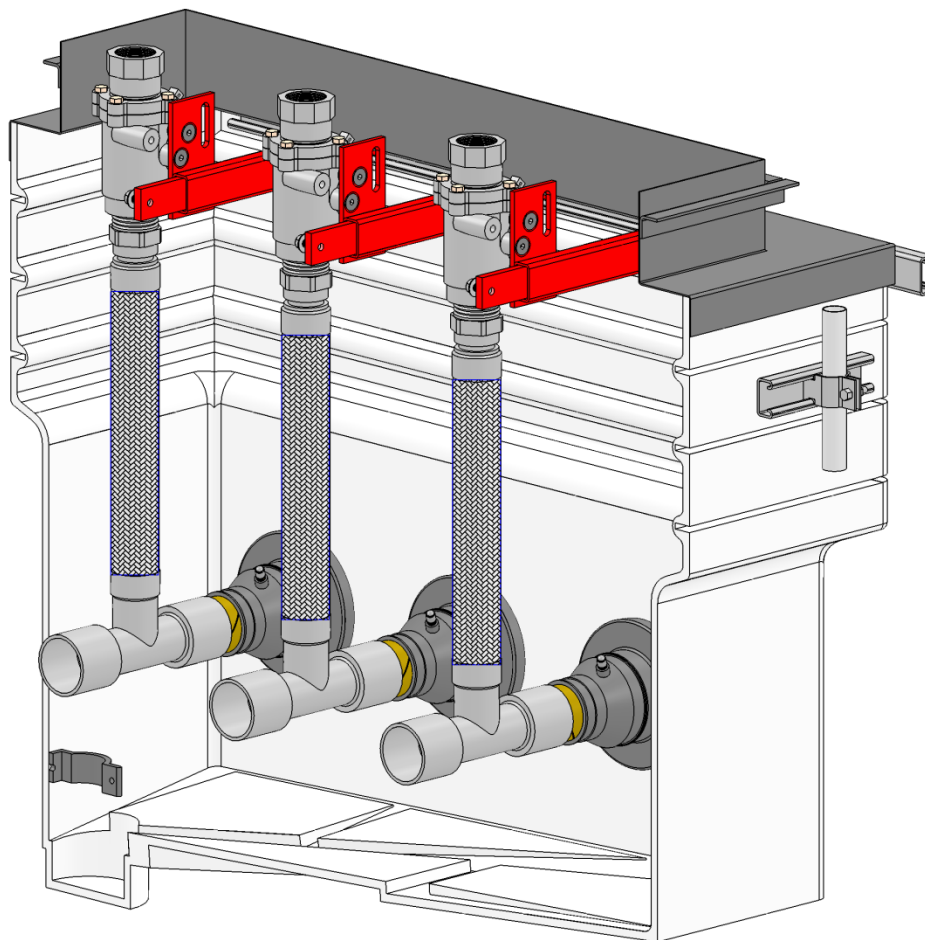
One sump body with optional traditional, grade level or transition lid

Shear Valves, Flex Connectors & Penetrations engineered to fit without stress

Approved by the State of Florida Department of Environmental Protection File #EQ-742



# Common Sump Benefits



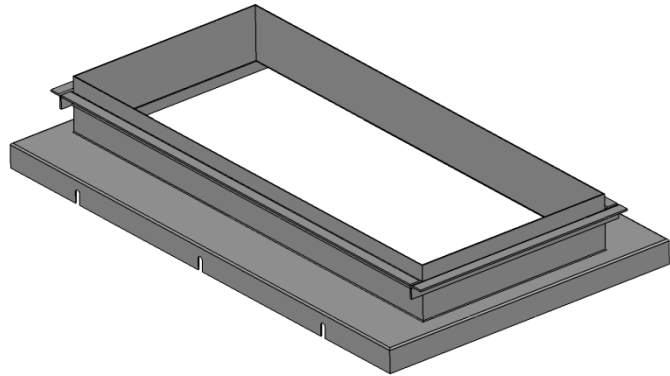
- Econo sump wall thickness compares to OPW & APT sumps
- Super sump wall thickness exceeds all other manufacturers
- Drill points in sump wall assure proper location of penetration fittings
- Optional sensor mounting bracket
- Optional cup designed to accommodate Veeder Root, as well as other manufacturers sensors and the Bravo float assembly

- Sloping Floor provides fast detection of fluids
- Convex sloping geometry resists hydraulic distortion

- Stabilizer bar assembly installs quickly with **NO** spring nuts
- Powder coated stabilizer bar assembly assures years of maintenance free service
- Shear valve mounting bracket is universal for grade level and below grade style sumps
- 3/8" thick angle brackets assure rugged mounting to sump rails
- Internal and external zinc coated unistrut rails assure quick & easy mounting & anchoring to concrete during installation
- Rails are universal for traditional & grade mounted models
- External conduit mounting brackets available

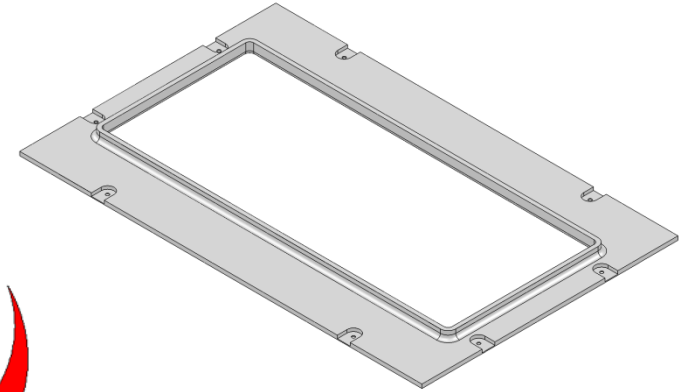


# One sump *just* change the lid



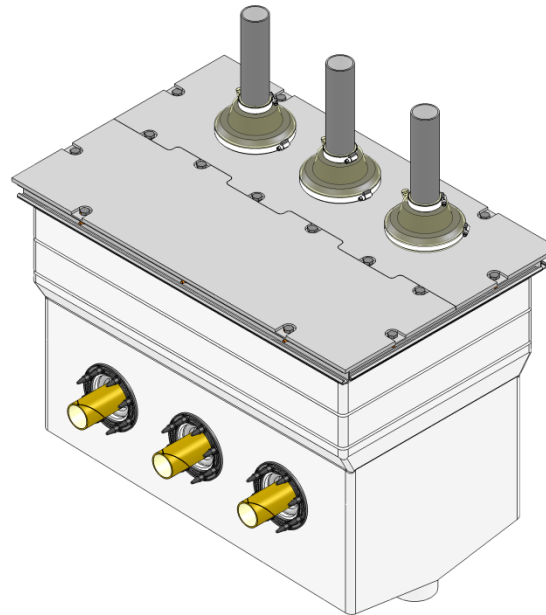
Traditional Lids

- Designed for 3" of concrete burial
- Constructed of rugged 16 ga material
- Standard size lids for:
  - Gilbarco Dispensers
  - Wayne Dispensers
  - Gas Boy Dispensers
  - Bennett Dispensers



Grade Level Lids

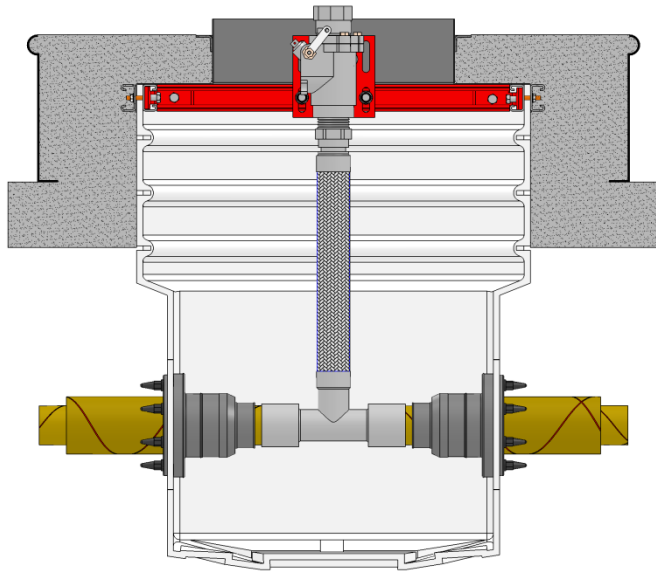
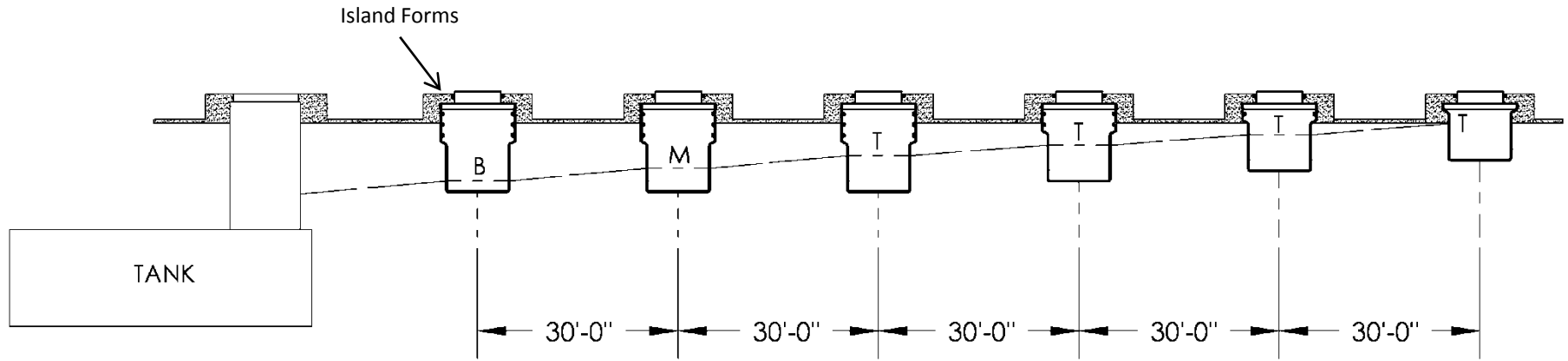
- Composite material
- Easily removable encapsulated nuts
- Standard size lids for:
  - Gilbarco Dispensers
  - Wayne Dispensers
  - Gas Boy Dispensers
  - Bennett Dispensers



Transition Lids

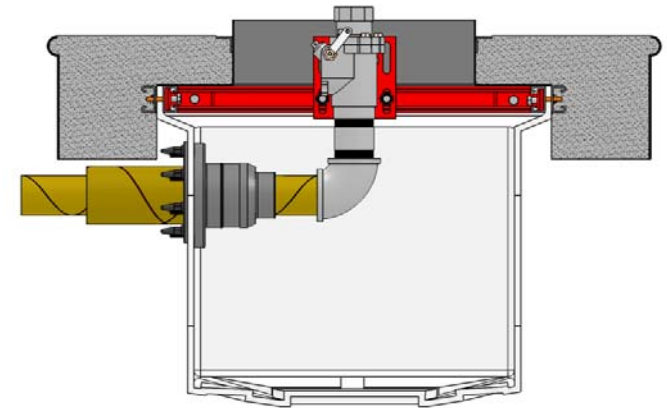
- Composite material
- 1/2 the lid easily removed
- Multiple Applications
  - Vent lines
  - Fuel transfer
  - Many more

# Engineered Under Dispenser Containment for Traditional Lid "Series" Piped Systems



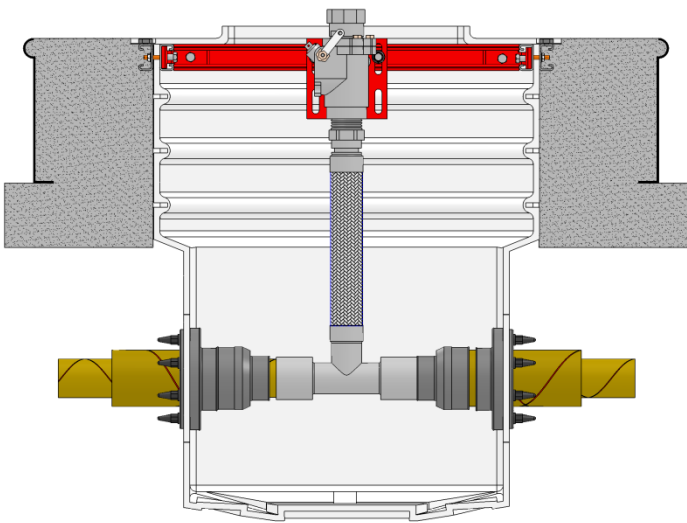
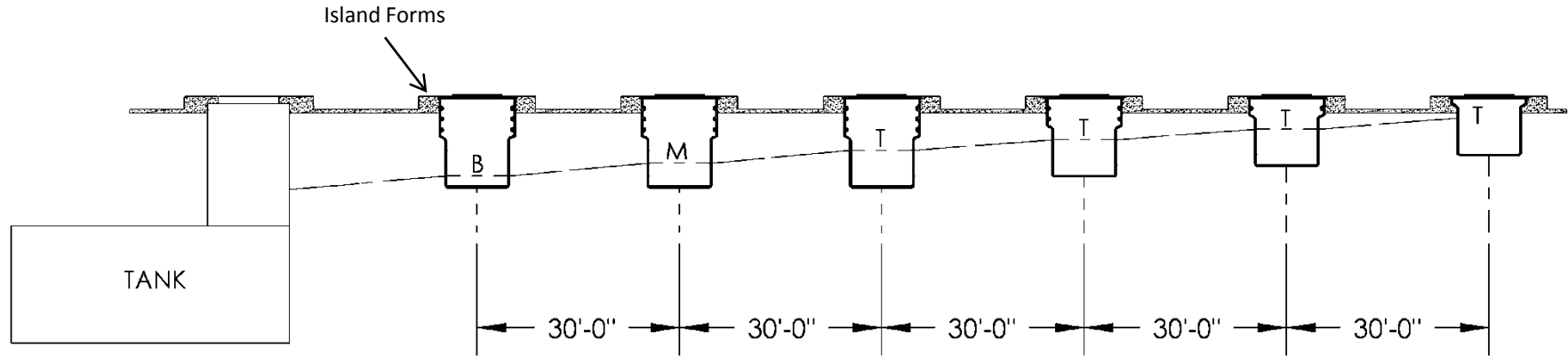
Typical Tee configuration for series piped installations

- Engineered system assures grade compliance
- Reduces installation time
- All components engineered to fit
- Bending and torquing of flex connector is not required



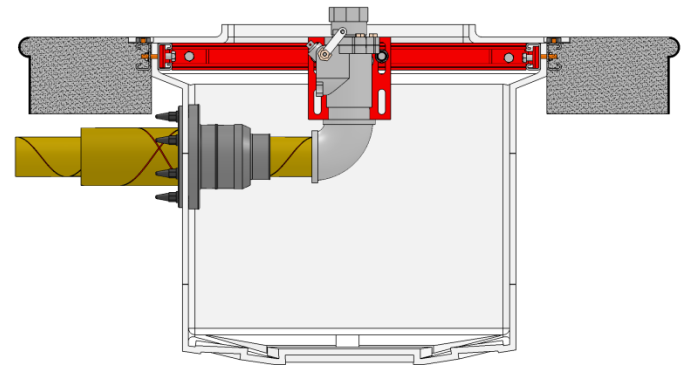
Typical 90 deg elbow configuration for end of run installations

# Engineered Under Dispenser Containment for Grade Level Lid "Series" Piped Systems



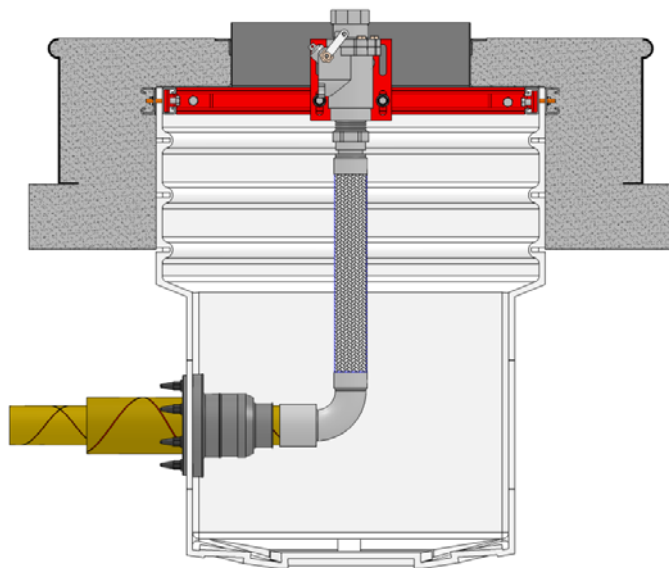
Typical Tee configuration for series piped installations

- Dispenser and lid are completely removed giving full un-obstructed access to the interior of the sump for maintenance and repairs
- Engineered system assures grade compliance
- Reduces installation time
- All components engineered to fit
- Bending and torquing of flex connector is not required



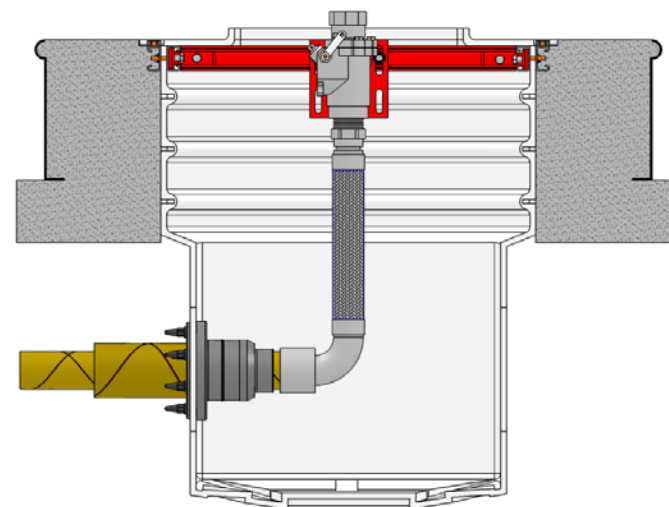
Typical 90 deg elbow configuration for end of run installations





Typical 90 deg elbow configuration for traditional parallel installations

- Dispenser and lid are completely removed on "Grade Level" installations giving full un-obstructed access to the interior of the sump for maintenance and repairs
- Engineered system assures grade compliance
- Reduces installation time
- All components engineered to fit
- Bending and torqing of flex connector is not required

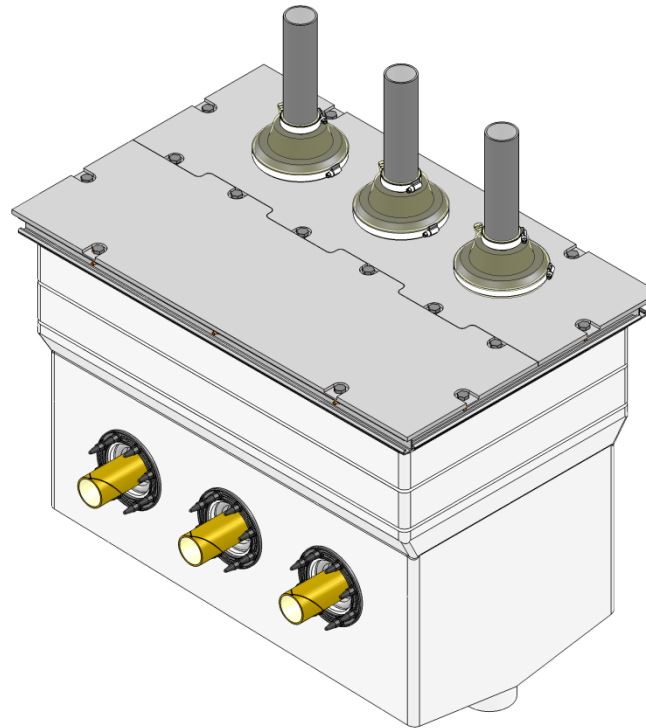


Typical 90 deg elbow configuration for grade level parallel installations

# Transition Sumps and Lids



- Removable lid for maintenance and repairs
- Composite lids are pedestrian rated
- Optional H-20 rated lids available



- Fixed lid stays in place
- No more disassembly of pipe and fittings to get into the sump
- DPM's engineered fitting for transition lid applications
- Unique penetrations for above grade applications
- UV resistant and water repellant

# Shear Valve, Flex Connector and Mounting Assembly



## Mounting Assembly

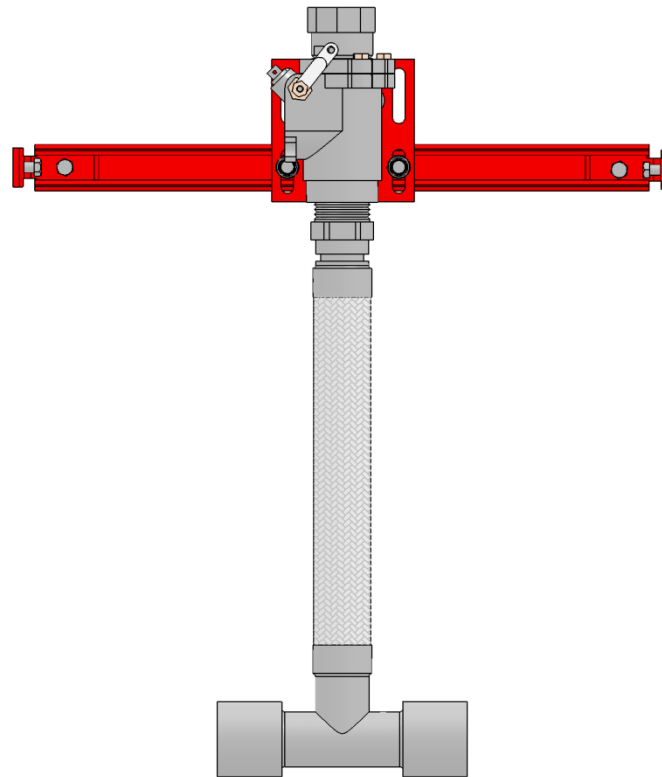
- Designed to fit **ALL** DPM sumps
- Engineered for "At Grade" or "Below Grade" applications
- Powder coat finish

## Shear Valves

- Single or Double Poppet
- Male, Female or Union connection
- Zinc plated cast iron body and top

## Flex Connectors

- Teflon energized seal
- Hydroformed enhancing flexibility
- Engineered to fit
- Tee or Elbow configuration



# Penetration Fittings



- Available in Single, Double, Filled and Monitored styles
- Alcryn material
- Material listed to UL 1996 protocols
- No metals in the soil
- Over 15 years proven reliability
- Threaded fittings available

