



Terminating & Test Reducers

Materials

Alcryn - tested to 1996 protocols and Fuel-Thane tested to 2005 protocols of a nationally recognized testing laboratory

All reducers are provided complete with series 300 stainless steel band clamps

Third Party Reviewed and Approved in accordance with CCR Title 23, Division 3, Chapter 16, Sections 2631 (d) and 2636 (b).

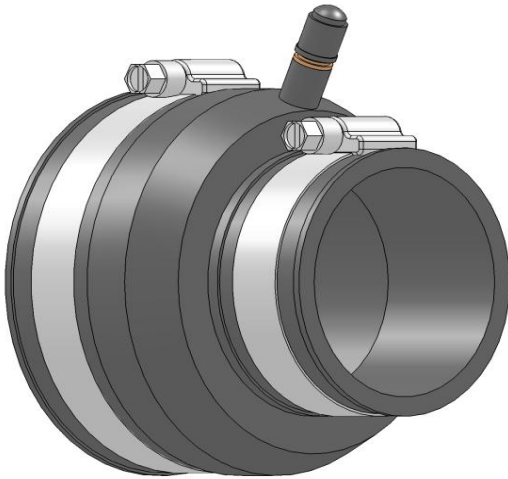
Reducers for 3" nominal and larger (3.6")OD:

- Are available in 10 psig or 35 psig rated models

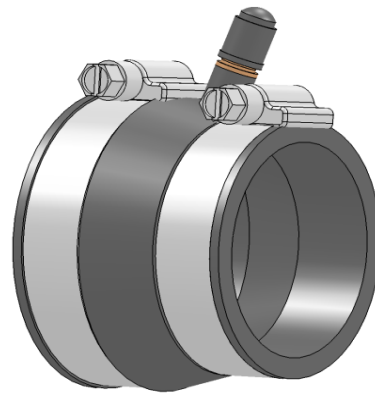
- Are available with as test reducers with molded in brass air valves and terminating reducers without air valves.

Reducers for 75mm nominal and smaller (3.0") Coaxial Style come complete with molded in air valves. and are suitable for testing to 10PSIG. Consult factory for High Pressure Testing Options.

See Product Matrix on the next page for available sizes.



Fiberglass



Coaxial



Terminating & Test Reducers

Termination and Test Fittings Product Matrix

Large Style	Fiberglass Pipes		Coaxial Flex Pipes		European Style Polypropylene Pipes				
	Ameron	Smith	APT	OPW	Durapipe	IPP	KPS	NUPI	UPP
9.9x6.3 - 250mm over 160mm									X
8.7x6.7 - 8" over 6"	X	X							
8.7x4.5 - 8" over 4"	X	X							
7.1x4.4 - 180mm over 110mm								X	
7.1x3.6 - 180mm over 90mm								X	
6.7x4.5 - 6" over 4"	X	X							
6.7x3.6 - 6" over 3"	X	X							
6.7x2.4 - 6" over 2"	X	X							
6.3x4.4 - 160mm over 110 mm					X				X
6.3x3.6 - 160mm over 90 mm					X			X	X
5.0x4.4 - 125mm over 110mm						X	X		X
5.0x3.6 - 125mm over 90mm								X	
4.8x4.5 - 4" LCX Coaxial	X								
4.5x3.6 - 110mm over 90 mm						X	X		X
4.5x2.5 - 110mm over 63mm					X				X
4.5x2.0 - 110mm over 50mm					X				X
3.8x3.6 - 3" LCX Coaxial	X								
3.8x2.4 - 3" Custom over 2.4"		X							
3.6x3.0 - 90mm over 75mm								X	X
3.6x2.5 - 90mm over 63mm								X	
3.6x2.4 - 3" over 2"	X								
3.6x2.0 - 90mm over 50mm					X				
2.7x2.4 - 2" LCX coaxial	X								
Coaxial Style									
3.5x3.3 - 3" Coaxial				X					
3.0x2.5 - European 75mm over 63mm					X	X	X	X	X
2.7x2.5 - APT 2" Coaxial			X						
2.5x2.3 - 2" Coaxial				X					
2.5x2.2 - European 63mm over 54mm							X		
2.5x2.0 - European 63mm over 50mm					X	X		X	X
2.5x1.3 - European 63mm over 32mm							X		
2.2x2.0 - APT 1 3/4" Coaxial									
2.0x1.8 - 1 1/2" Coaxial				X					
2.0x1.6 - European 50mm over 40mm						X			X
1.9x1.7 - APT 1 1/2" Coaxial			X						
1.6x1.3 - European 40mm over 32mm					X			X	X
1.5x1.3 - 1" Coaxial			X	X					
1.3x1.0 - European 28mm over 25mm						X			
1.2x1.0 - 3/4" Coaxial				X					

Any Reducer may be ordered where the larger size (secondary) is shown. Should the smaller size (primary) not be listed, consult factory on availability. The above matrix contains common sizes from published data by various pipe manufacturers.
 Product Number Example: RA 5.0x4.4 For High Pressure versions add "HP". For Test valves on larger sizes add "A" Example: RA 5.0x4.4HPA