



B2 Threaded Penetrations Single Sided, Double Sided, and Filled

Materials

Alcryn - tested to 1996 protocols and Fuel-Thane tested to 2005 protocols of a nationally recognized testing laboratory.

All penetrations are complete with 300 all stainless steel band clamps.

Third party reviewed and approved in accordance with CCR Title 23, Division 3, Chapter 16 Sections 2631 (d) and 2636 (b).

B2 penetration fittings are the most cost effective products in the market.

B2 penetration fittings are available for all pipe sizes up to 1.45" in diameter.

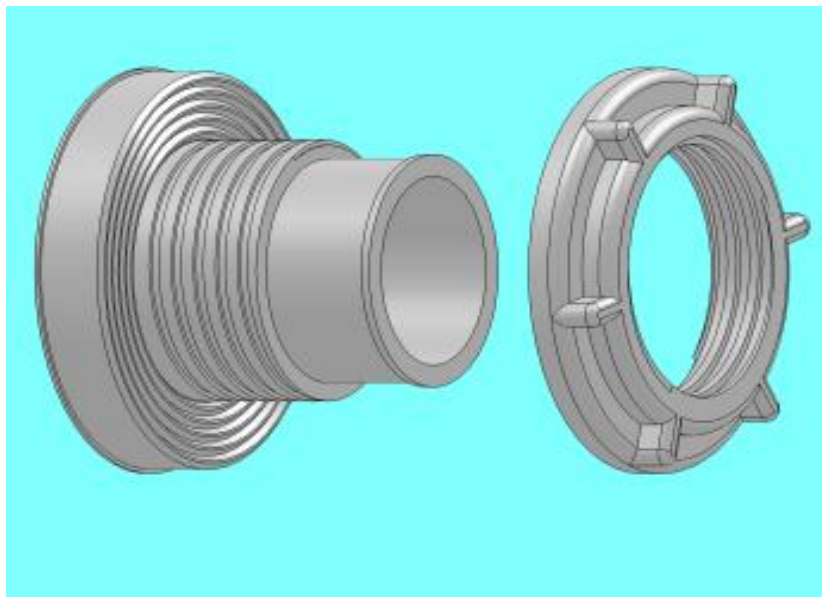
B2 penetrations are available in Single Sided, Double Sided, and Filled versions.

B2 penetrations seal to flat and curved surfaces as small as 24" in diameter.

B2 penetrations may be cold fusion welded to poly or fiberglass sumps.

B2 penetrations have a 3 year parts warranty on single sided and double sided fittings.

B2 penetrations have a 20 year parts and labor warranty on all filled versions. Refer to the warranty section for further details.



B2 Single Sided Penetration Fitting



B2 Threaded Penetrations Single Sided, Double Sided, and Filled

Product Number

B2-1.4
B2-1.3
B2-1.2
B2-1.1
B2-41
B2-419

Application - Single Sided Penetrations

1" Rigid Conduit & 1" PVC Coated Rigid Steel Conduit
32 mm pipe
3/4" PVC Coated Rigid Steel Conduit
3/4" Rigid Steel Conduit
B2-1.4 with inserts for 3/4" conduits
B2-1.4 with inserts for 1/2" & 3/4" conduits

Product Number

B2D-1.4
B2D-1.3
B2D-1.2
B2D-1.1
B2D-41
B2D-419

Application - Double Sided Penetrations

1" Rigid Conduit & 1" PVC Coated Rigid Steel Conduit
32 mm pipe
3/4" PVC Coated Rigid Steel Conduit
3/4" Rigid Steel Conduit
B2D-1.4 with inserts for 3/4" conduits
B2D-1.4 with inserts for 1/2" & 3/4" conduits

Product Number

B2F-1.4
B2F-1.3
B2F-1.2
B2F-1.1
B2F-41
B2F-419

Application - Filled Penetrations

1" Rigid Conduit & 1" PVC Coated Rigid Steel Conduit
32 mm pipe
3/4" PVC Coated Rigid Steel Conduit
3/4" Rigid Steel Conduit
B2F-1.4 with inserts for 3/4" conduits
B2F-1.4 with inserts for 1/2" & 3/4" conduits

The following inserts may be used with B2 penetrations to seal to unusual applications

Product Number

IA1.4x1.2
IA1.4x1.1
IA1.4x.9
IA1.4x.8
IA1.4x.6
IA1.4x.5
IA1.4xPlug

Converts a B2-1.4 to 3/4" PVC Coated Rigid Steel Conduit
Converts a B2-1.4 to 3/4" Rigid Steel Conduits
Converts a B2-1.4 to a 1/2" Rigid Steel Conduit
Converts a B2-1.4 to a .72" diameter Tech cable
Converts a B2-1.4 to a .6" diameter electrical cable
Converts a B2-1.4 to a .5" diameter electrical cable
Converts a B2-1.4 to a blind plug. Plug may be drilled for small lines such as 1/4" or 3/8" copper tubing.