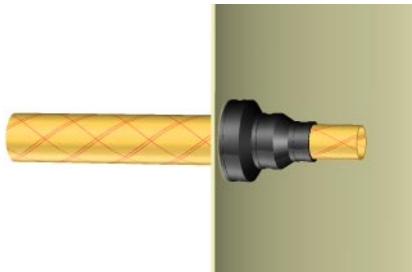
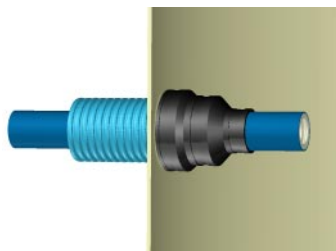
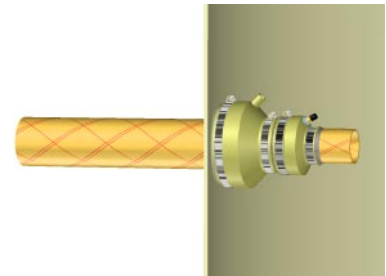




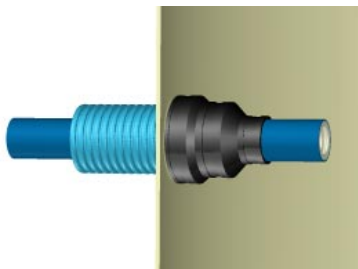
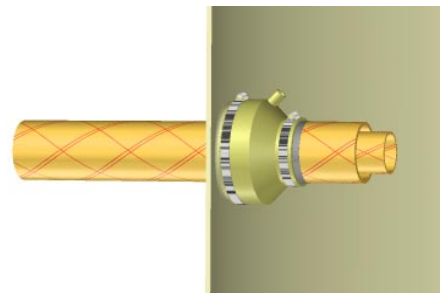
# Cuffed Sump Applications



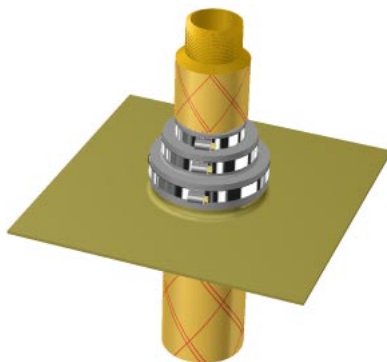
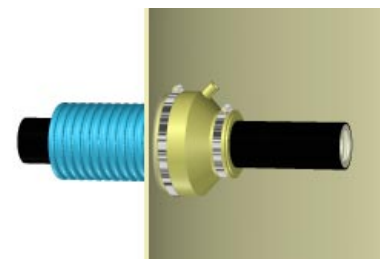
Existing Fiberglass Pipe



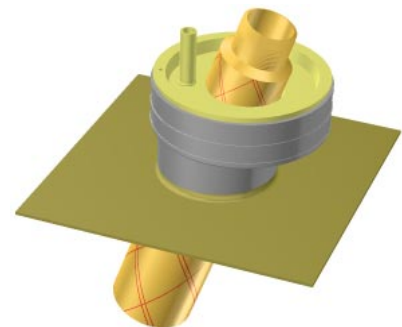
New Fiberglass Pipe



New Flex Pipe



EPP Shallow Dispenser





## Table of Contents

Existing Fiberglass Pipe.....	85
New Fiberglass Pipe .....	87
New Flex Pipe.....	88
EPP Shallow Dispenser .....	89



## Cuffed Bulkhead Repair - Existing Fiberglass Pipe

### Warnings:

- (1) Read installation instructions
- (2) Read MSDS sheet
- (3) Use appropriate eye and skin protection

#### Tools Required

- 1) Knife to cut away rubber boot
- 2) Sanding capability to remove glaze on sump wall
- 3) DGK Applicator Gun

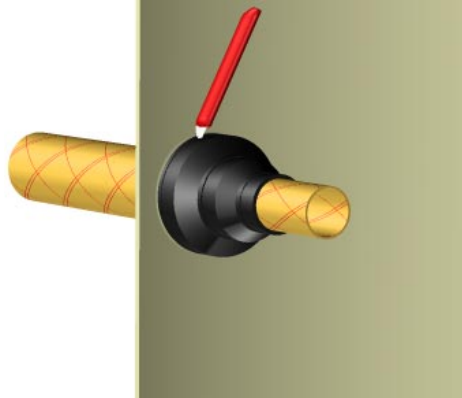
#### PRODUCT NEEDED

REK EPP Shallow Dispenser Pan  
Repair Kit for 3" or 2" FRP

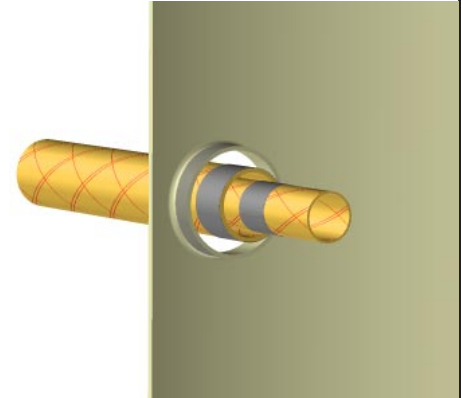
#### INSTALLATION EQUIPMENT NEEDED

DAG Applicator Gun  
RBIK Installation Kit (Which Includes):  
DBB III Bonder (16 oz)  
DBF II Fill (42 oz)  
DBC Aerosol Cleaner (16 oz)  
DGK Zip-Tite (4 oz)  
Gloves & Static mixers

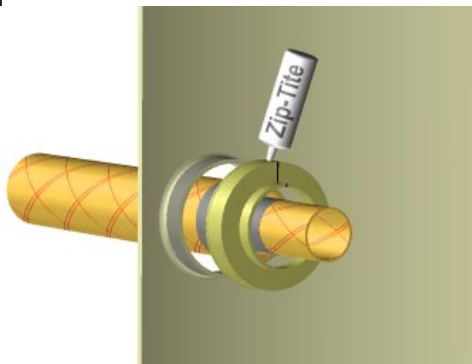
Remove clamps from existing fitting. Cut off and remove existing boot.



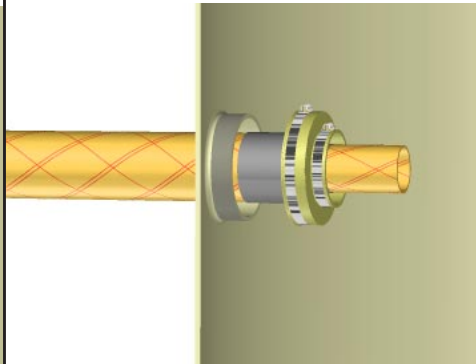
Sand and clean all surfaces to be sealed (cuff and pipe).



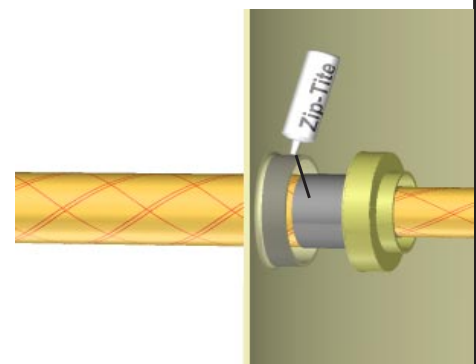
Wrap outer split boot around pipe, then solvent weld using Zip-Tite.



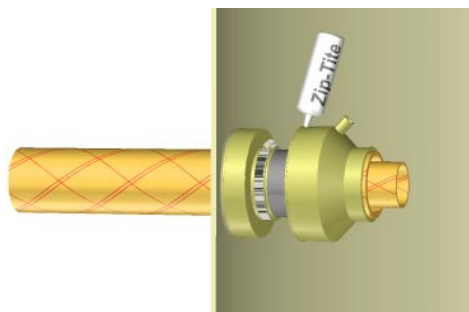
After welding with Zip-Tite, install clamps to align edges and hold in place until dry.



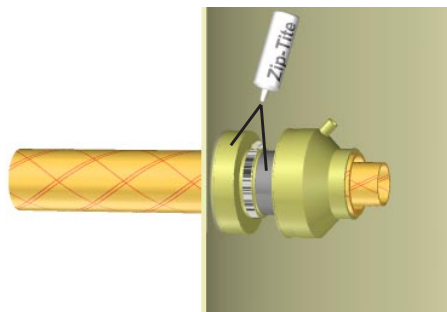
Apply Zip-Tite to mating surfaces (cuff and pipe).



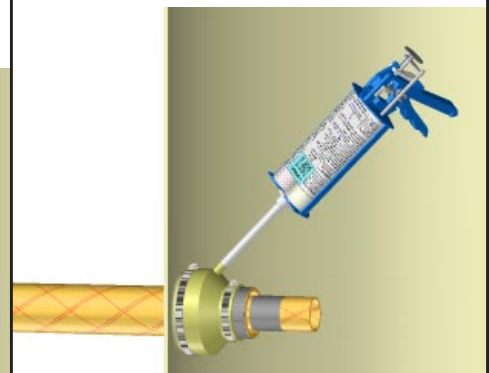
Install outer boot snug to cuff. Clamp in place to pipe. Wrap inner boot around pipe and solvent weld using Zip-Tite (use clamps as before).



Apply Zip-Tite to mating surfaces (outer boot and pipe).



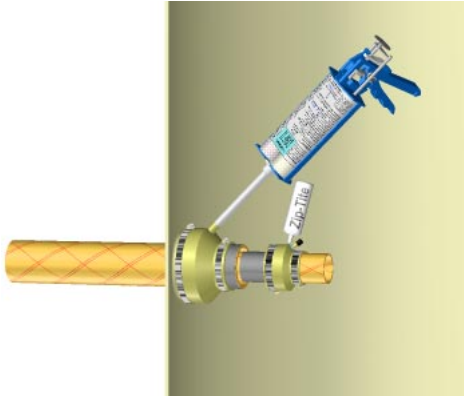
Install inner boot over pipe. Clamp all exposed sealing surfaces. Fill with DBF II.



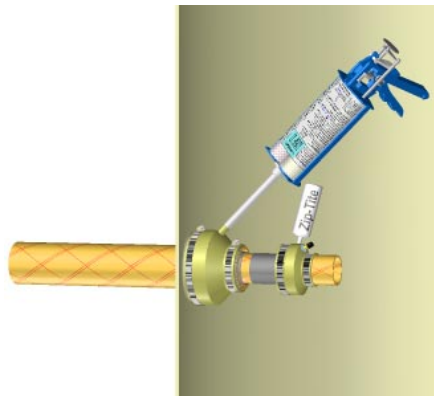


## Cuffed Bulkhead Repair - Existing Fiberglass Pipe

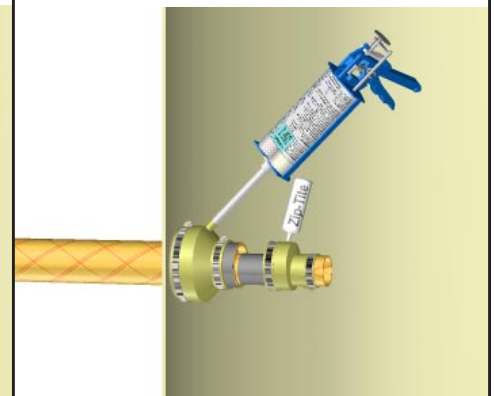
Wrap split reducer around pipe, then solvent weld using Zip-Tite. If space permits, use RZ 3.5x2.4A



If space is tight, use RZ 3.9x2.4A and overlap repair boot



If 2" pipe is resting on the bottom of the 3" pipe, use RZ 3.5x2.4E.





## Cuffed Bulkhead Repair - New Fiberglass Pipe

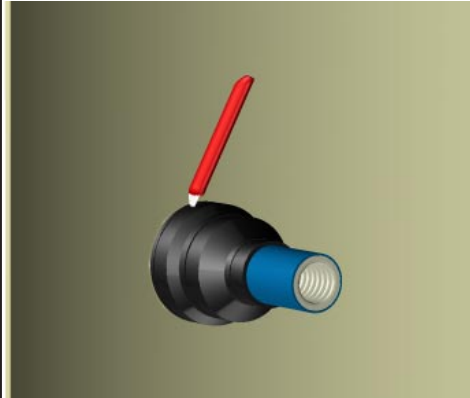
### Warnings:

- (1) Read installation instructions
- (2) Read MSDS sheet
- (3) Use appropriate eye and skin protection

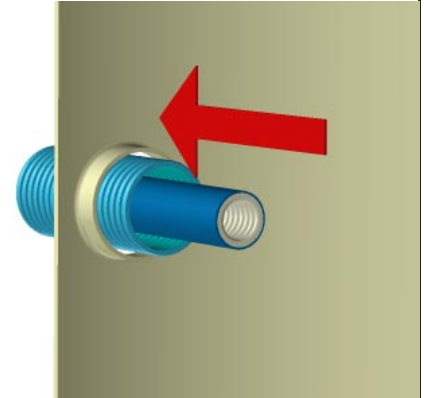
### Tools Required

- 1) Knife to cut away rubber boot
- 2) Sanding capability to remove glaze on sump wall

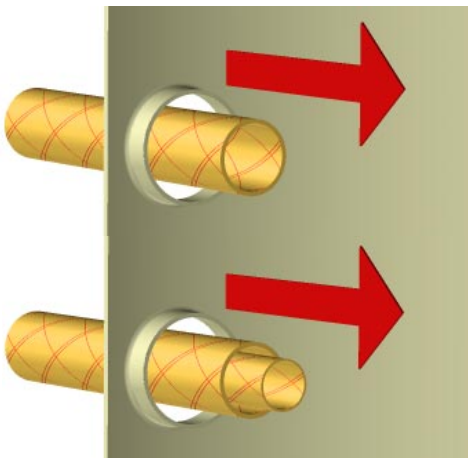
Remove clamps from existing fitting. Cut off and remove existing boot.



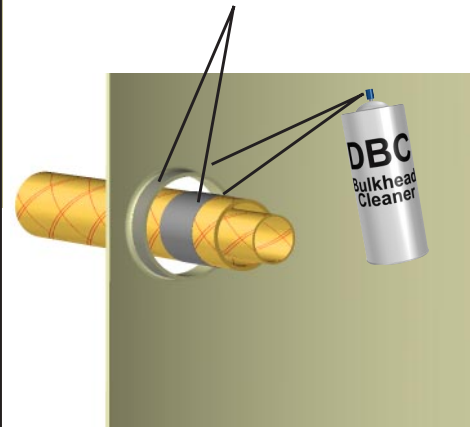
Remove existing pipe & ducting



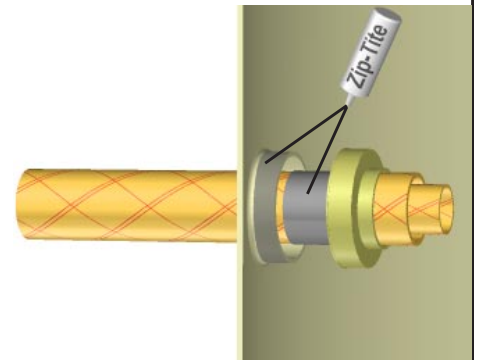
Remove old pipe, pull in new pipe.



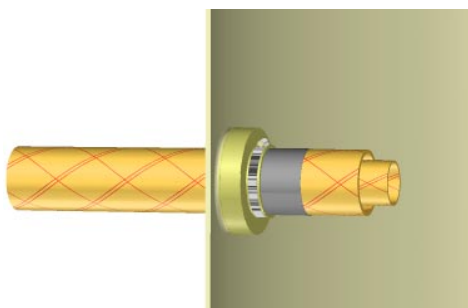
Sand and clean all surfaces to be sealed (cuff and pipe). Clean & wipe dry with DBC Cleaner.



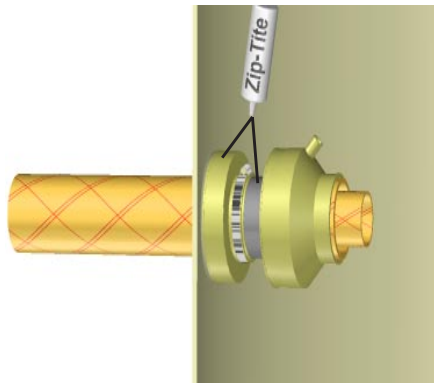
Install outer boot over pipe. Apply Zip-Tite to mating surfaces (cuff and pipe).



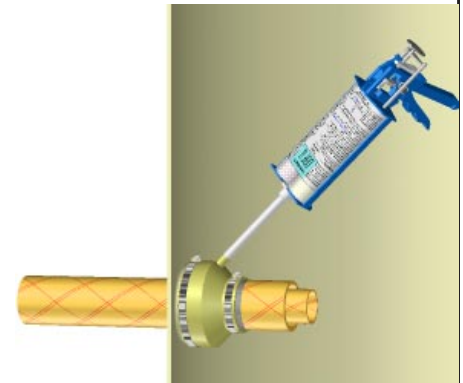
Install outer boot over new pipe and snug to cuff. Clamp in place to pipe.



Apply Zip-Tite to mating surfaces (outer boot and pipe).



Install inner boot over pipe. Clamp all exposed sealing surfaces. Fill with DBF II.





## Cuffed Bulkhead Repair - New Flex Pipe

### Warnings:

- (1) Read installation instructions
- (2) Read MSDS sheet
- (3) Use appropriate eye and skin protection

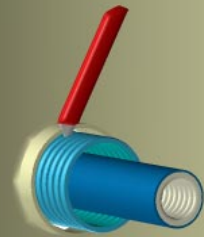
### Tools Required

- 1) Knife to cut away rubber boot
- 2) Sanding capability to remove glaze on sump wall
- 3) DGK Applicator Gun

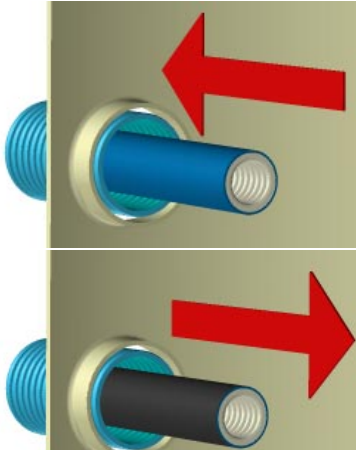
Remove clamps from existing fitting. Cut off and remove existing boot.



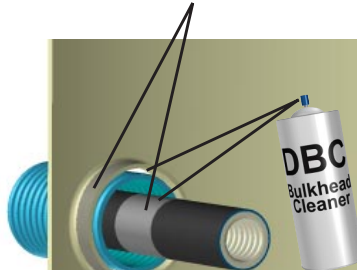
Cut back corrugated duct flush with cuff



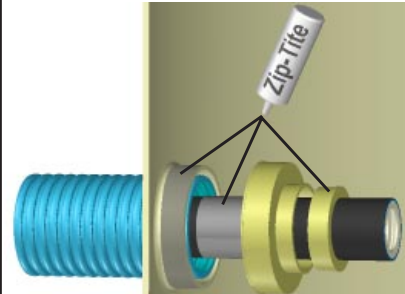
Remove old pipe, pull in new pipe.



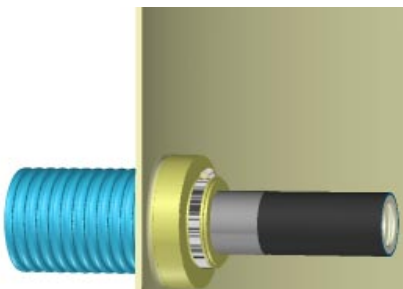
Sand and clean all surfaces to be sealed (cuff and pipe). Clean & wipe dry with DBC Cleaner.



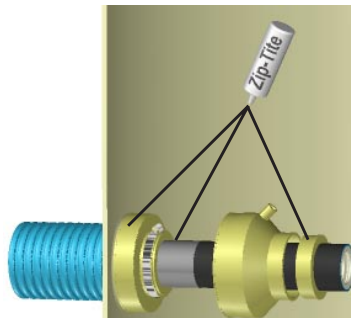
Install outer boot over pipe. Apply Zip-Tite to mating surfaces (cuff, insert and pipe).



Install outer boot over new pipe and snug to cuff. Clamp in place to pipe.



Apply Zip-Tite to mating surfaces (outer boot, insert and pipe).



Install inner boot over pipe. Clamp all exposed sealing surfaces. Fill with DBF II.





EPP Shallow Dispenser Cuff Repair

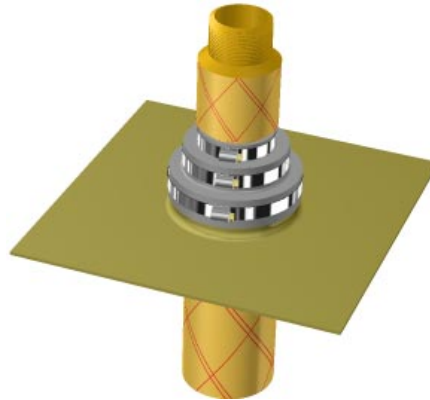
**Warnings:**

- (1) Read installation instructions
- (2) Read MSDS sheet
- (3) Use appropriate eye and skin protection

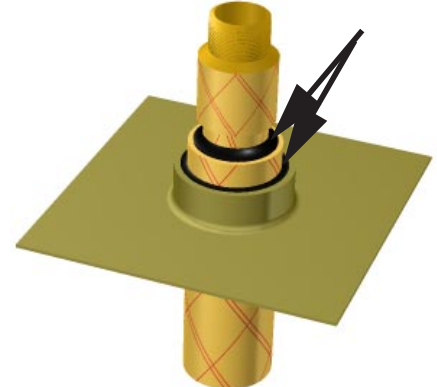
**Tools Required**

- 1) Knife to cut away rubber boot
- 2) Sanding capability to remove glaze on sump wall
- 3) Drill with 3/8" nut driver for Tek screws

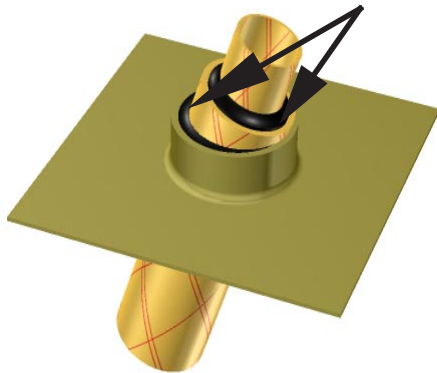
Typical installation on 3" FRP over 2" FRP.



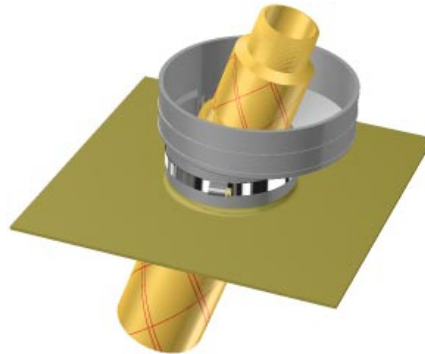
Remove clamps and old boot. Clean area thoroughly. Caulk interstice and gap to cuff with DRP polysulfide paste.



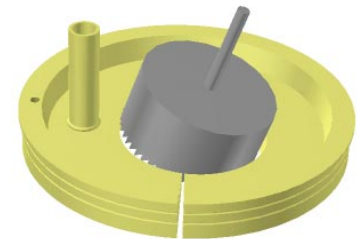
If pipe enters at an angle, take the following steps; measure the angle of the pipe. Caulk interstice and gap to cuff with DRP polysulfide paste.



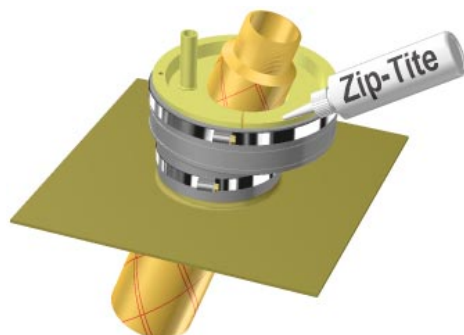
Field split eccentric reducer, wrap RZ6.7x4.5E around cuff & pipe, then install lower clamp. Determine hole location and diameter required at top of reducer.



Drill hole according to measurements, then split plug and install around pipe.



Remove lower clamp and apply Zip-Tite to RZ6.7x4.5E, then reclamp lower clamp. Wrap IZ6.7xPLUG around pipe and apply Zip-Tite. Install upper clamp.



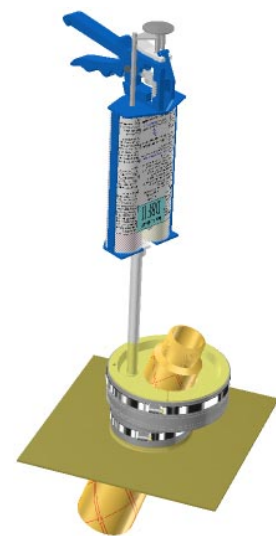
Fill with DBF II until fill exits vent. Allow sufficient time for all air to exit fitting.

**PRODUCT NEEDED**

REK EPP Shallow Dispenser Pan  
Repair Kit for 3" or 2" FRP

**INSTALLATION EQUIPMENT NEEDED**

- DAG Applicator Gun
- RBIK Installation Kit (Which Includes:)
  - DBB III Bonder (16 oz)
  - DBF II Fill (42 oz)
  - DBC Aerosol Cleaner (16 oz)
  - DGK Zip-Tite (4 oz)
  - Gloves & Static mixers





**Weaver  
Products  
Catalog**

Leadership in Innovative Products & Manufacturing Technologies



**Diversified Products Mfg LLC**



**Cuffed Sump  
Applications**

End of Section 3